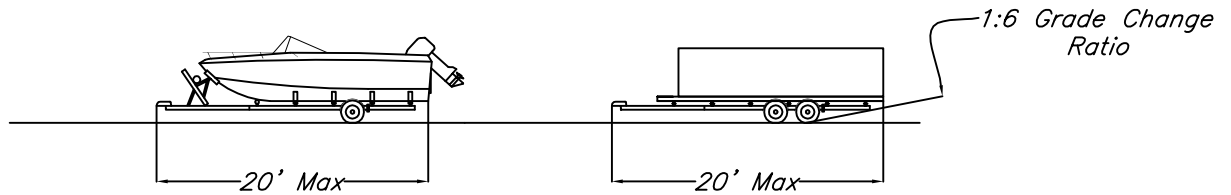
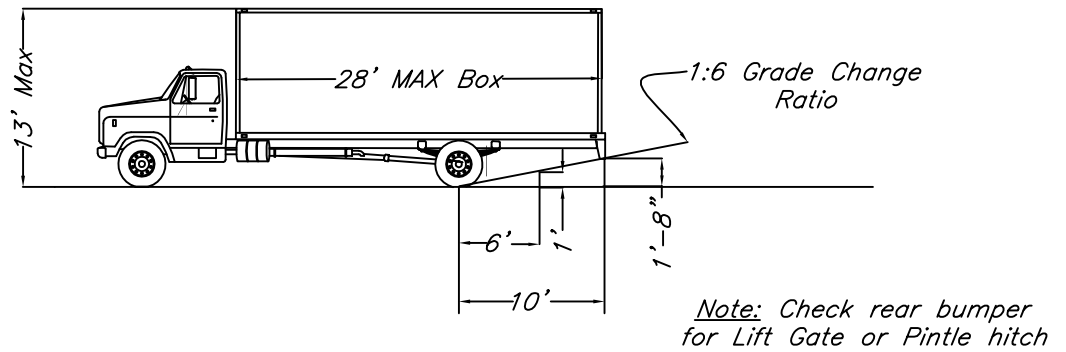


MOTORHOME – 30' MAX LENGTH
 Clearance at Bumper 1' Minimum @ 6' overhang Maximum

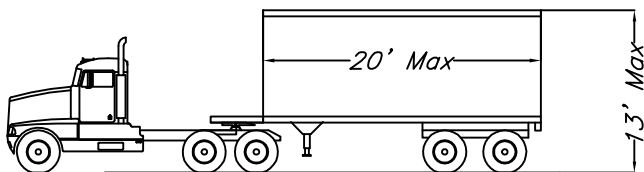


TRAILER 20' MAX
 (shown with Boat)

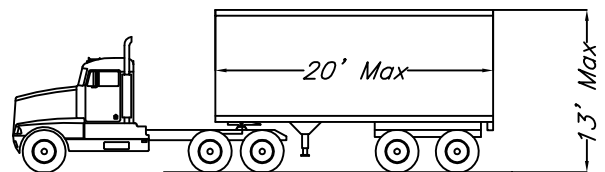
TRAILER 20' MAX
 (shown with Cargo)



BOX TRUCK – 28' BOX MAXIMUM
 Clearance @ Bumper of 1'-8" Minimum @ 10' from Rear Axle



Container on Long Trailer



Container on Short Trailer

CONTAINER – 20' MAX

M/V LeConte & M/V Aurora
@ Gustavus